

# INSTALLATION KIT INSTRUCTIONS FOR TOOLBOXES

## SL2 HORIZONTAL

102812 Installation kit instructions for toolbox 550/700L

102901 Installation kit instructions for toolbox 600

102864 Installation kit instructions for toolbox 700

102867 Installation kit instructions for toolbox 800

102809 Installation kit instructions for toolbox 1000

## SL4 VERTICAL

102827 Installation kit instructions for toolbox 550/700L

102902 Installation kit instructions for toolbox 600

102863 Installation kit instructions for toolbox 700

102866 Installation kit instructions for toolbox 800

102808 Installation kit instructions for toolbox 1000

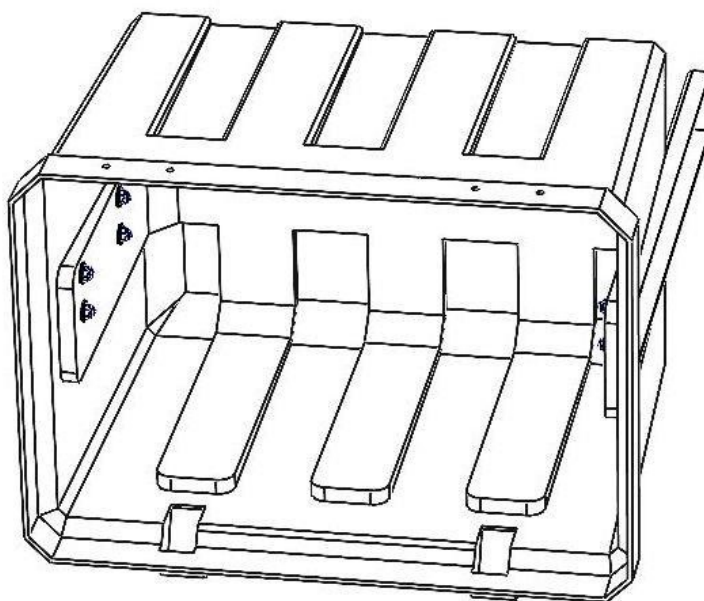
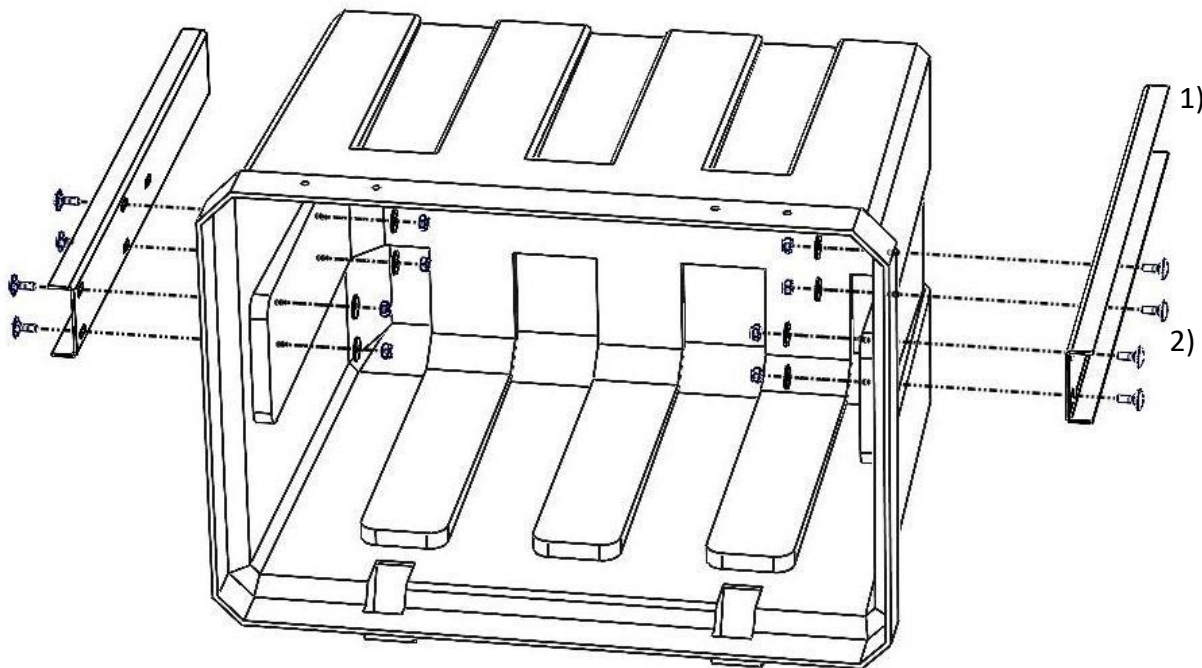
# INSTALLATION INSTRUCTIONS




102812 Installation kit SL2 (horizontal) for

100451 Toolbox 550x450x450

100453 Toolbox 700x300x300 L

100451 Toolbox 550x450x450



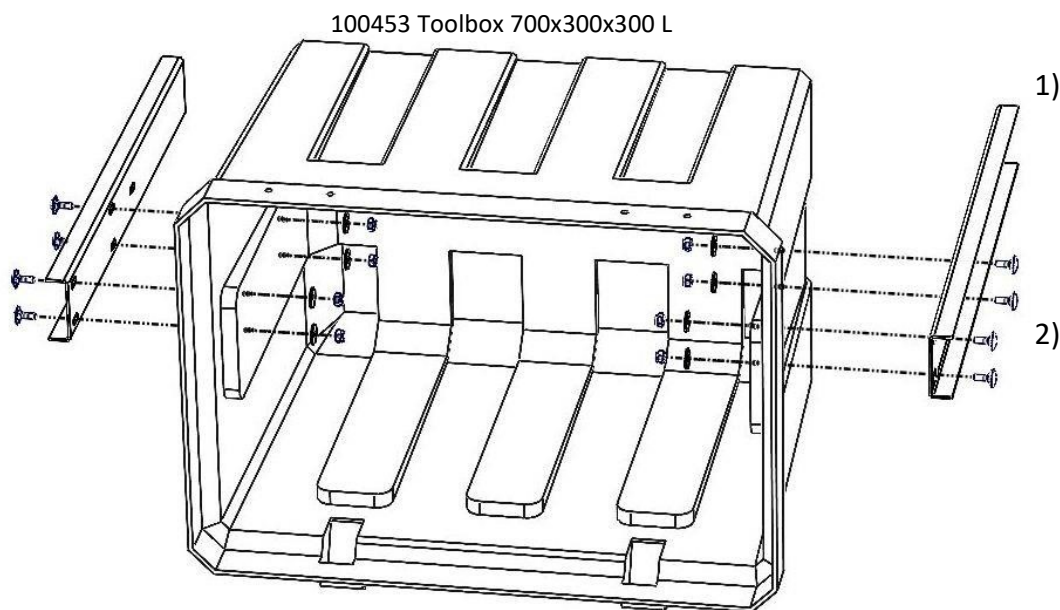
Pos	Qty	Part	
1	2 x	U-profile 470mm	
2	8 x		Square Neck Bolt M6x16
2	8 x		Nut Nyloc M6
2	8 x		Washer M6x18

# INSTALLATION INSTRUCTIONS

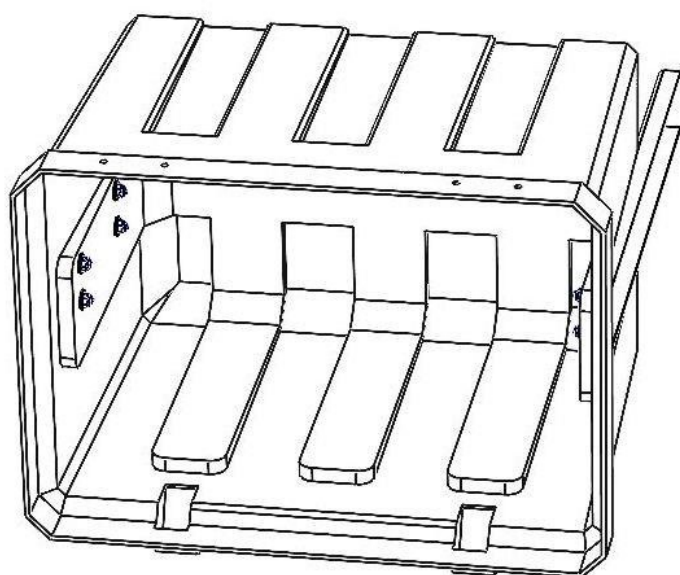
102812 Installation kit SL2 (horizontal) for

100451 Toolbox 550x450x450

100453 Toolbox 700x300x300 L

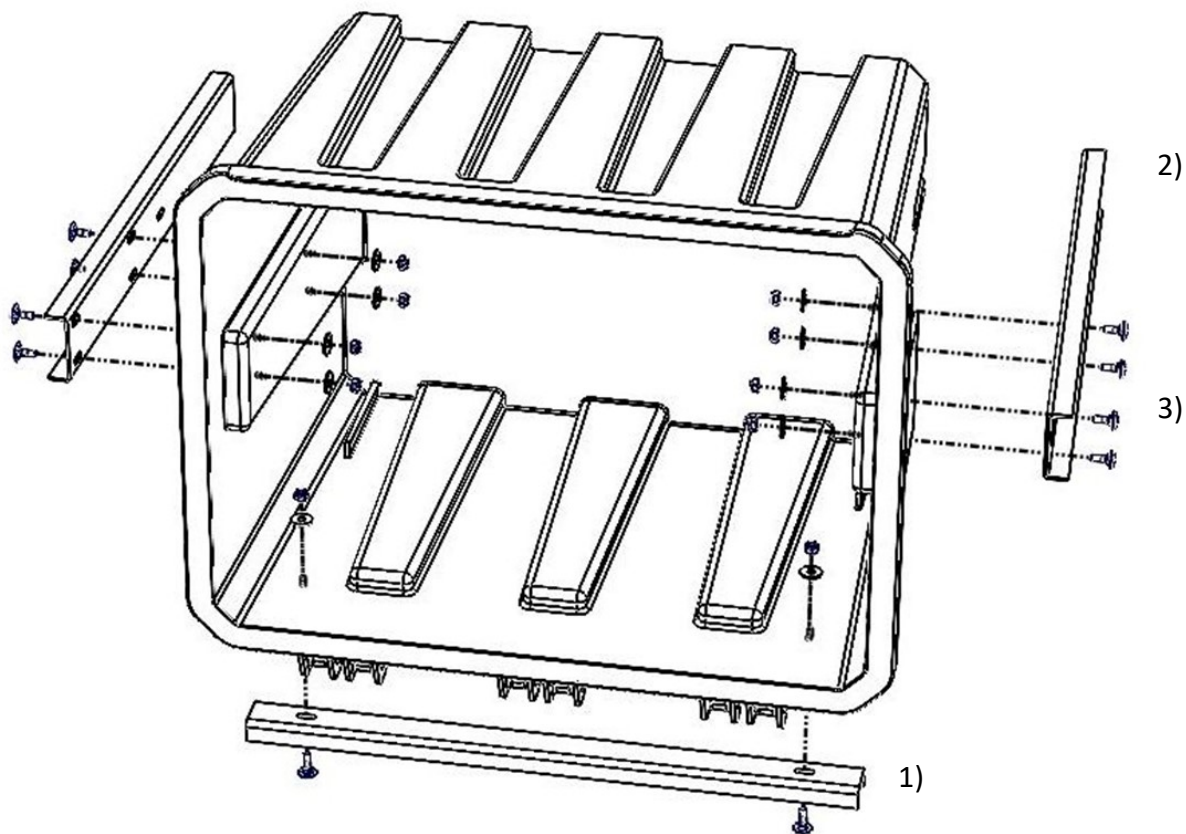


Pos	Qty	Part	
1	2 x	U-profile 470mm	
2	8 x		Square Neck Bolt M6x16
2	8 x		Nut Nyloc M6
2	8 x		Washer M6x18

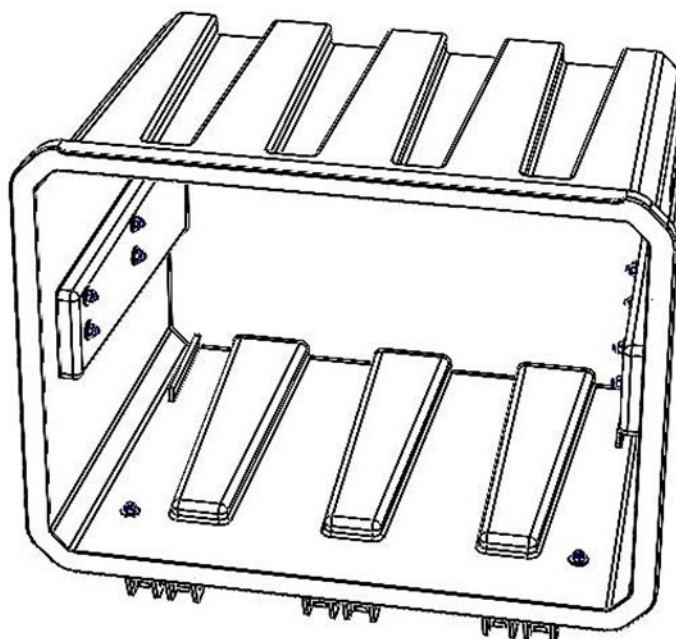


# INSTALLATION INSTRUCTIONS

102901 Installation kit SL2 (horizontal) for  
100452 Toolbox 600x450x450



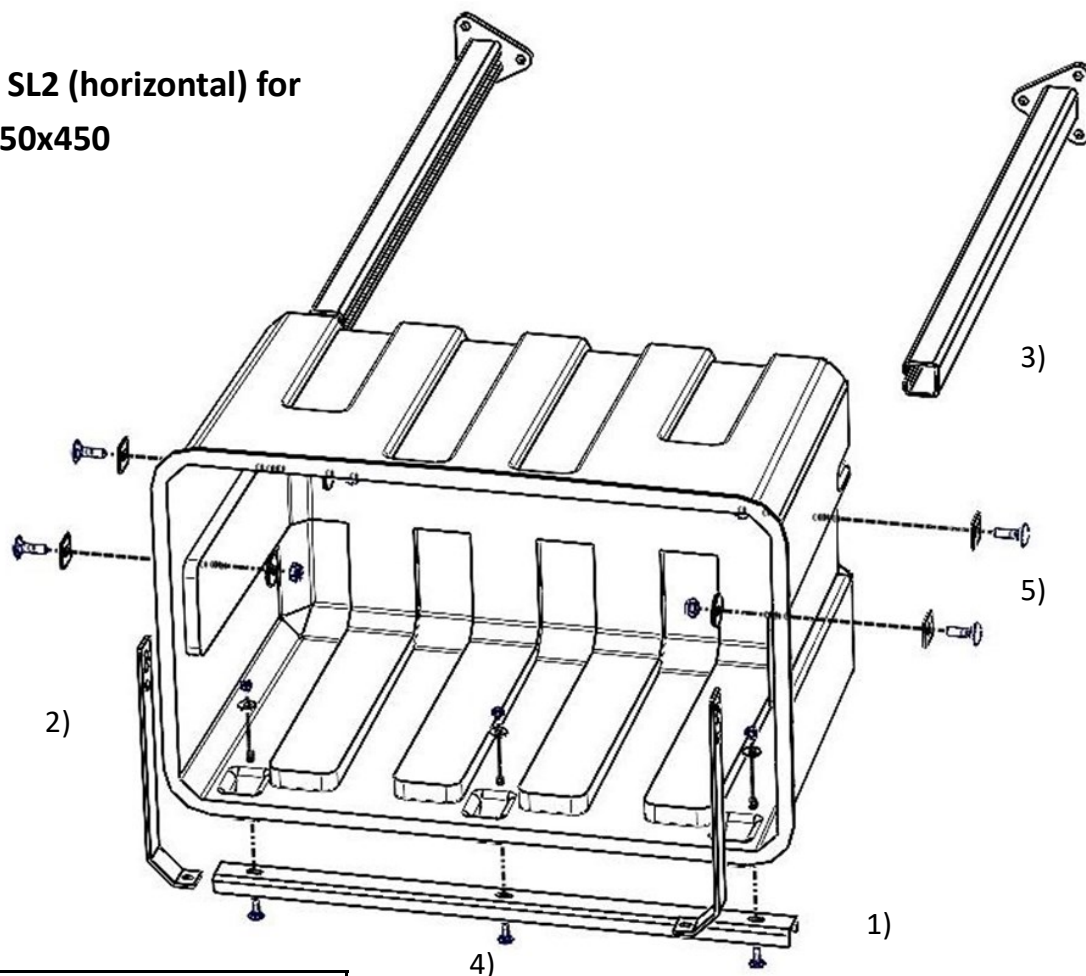
Pos.	Qty	Part	
1	2 x	U-profile 530mm	
2	2 x	U-profile 470mm	
3	8 x		Square Neck Bolt M6x16
3	8 x		Nut Nyloc M6
3	8 x		Washer M6x18



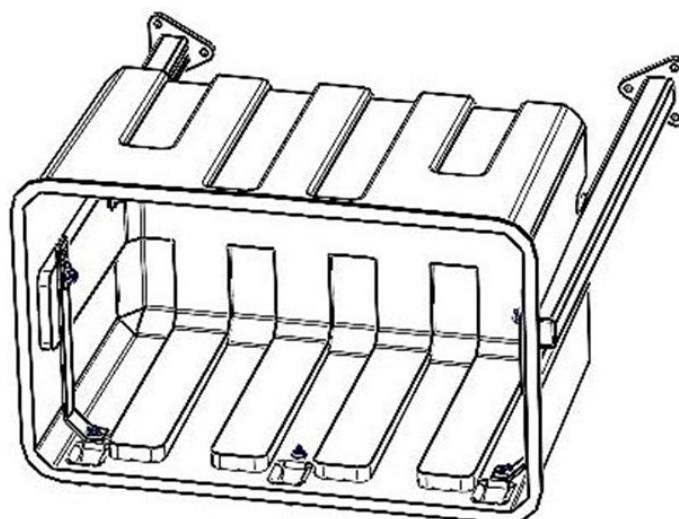


# INSTALLATION INSTRUCTIONS

102864 Installation kit SL2 (horizontal) for  
100454 Toolbox 700x450x450

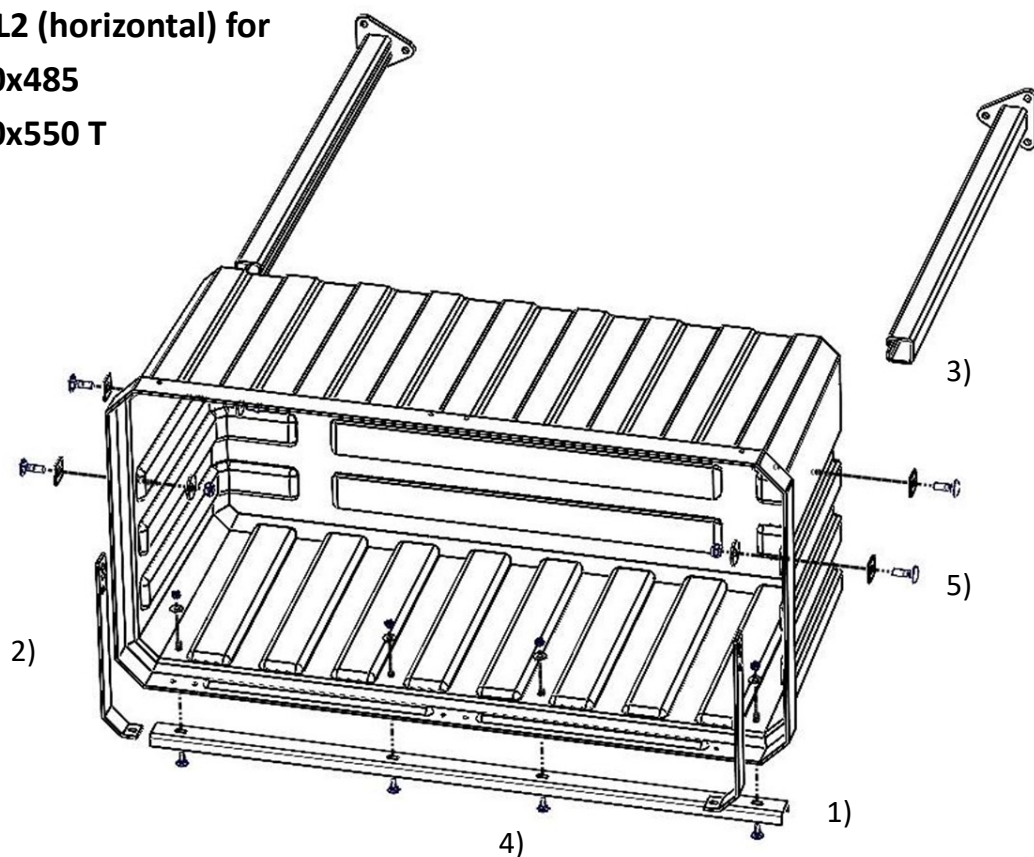


Pos.	Qty	Part	
1	1 x	U-profile 625mm	
2	2 x	L-bracket 275mm	
3	2 x	Stay C-profile 700mm Zn	
4	4 x		Square Neck Bolt M6x20
4	4 x		Nut Nyloc M6
4	4 x		Washer M6x18
5	4 x		Square Neck Bolt M10x30
5	4 x		Nut Nyloc M10
5	4 x		Washer M10x40
5	4 x		Washer 30x30 rectangular

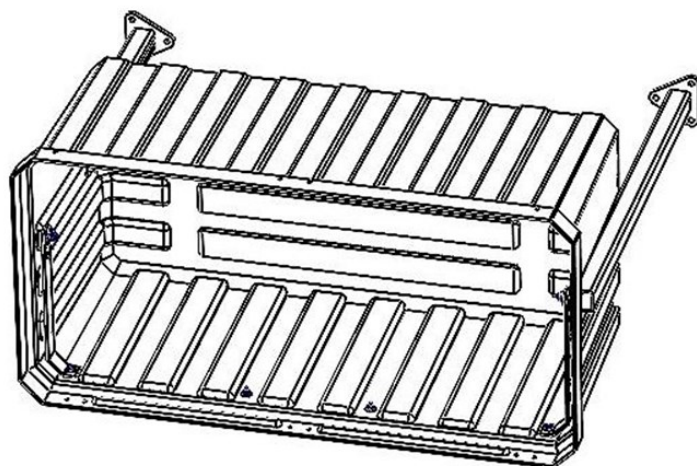


## INSTALLATION INSTRUCTIONS

102867 Installation kit SL2 (horizontal) for  
 100455 Toolbox 840x480x485  
 100456 Toolbox 840x480x550 T

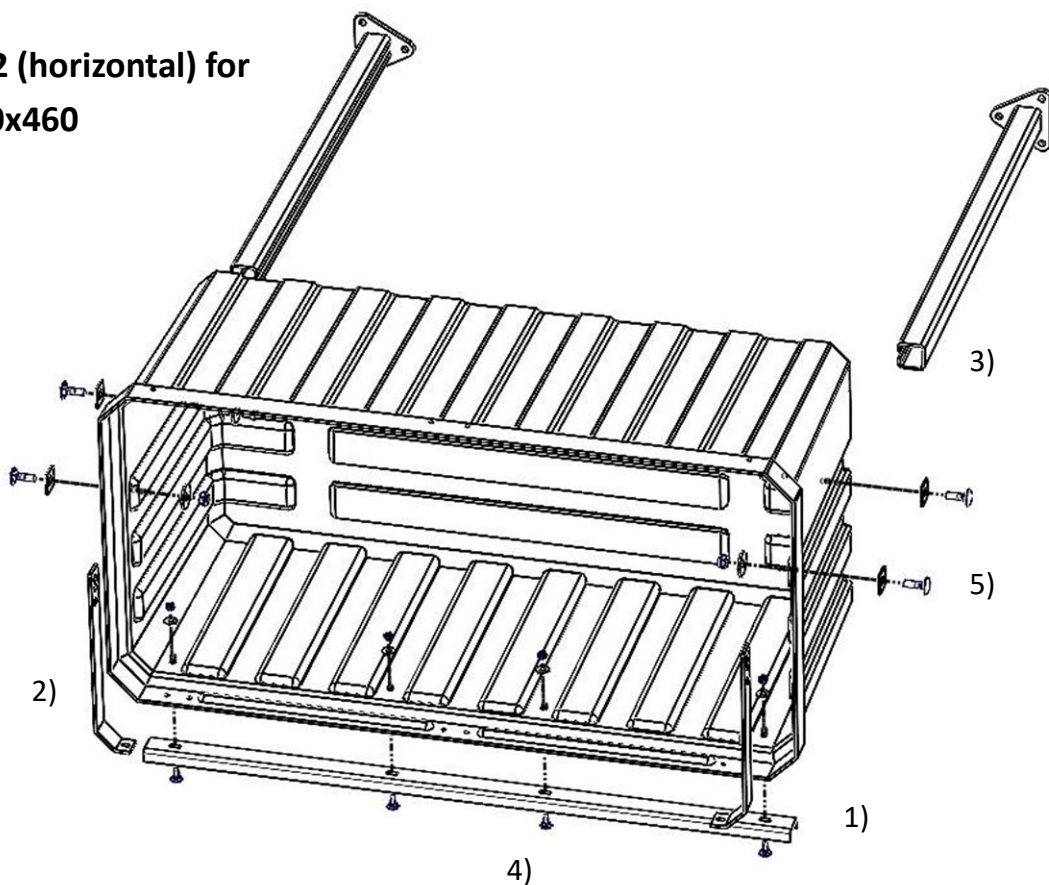


Pos.	Qty	Part	
1	1 x	U-profile 759mm	
2	2 x	L-bracket 275mm	
3	2 x	Stay C-profile 700mm Zn	
4	4 x		Square Neck Bolt M6x20
4	4 x		Nut Nyloc M6
4	4 x		Washer M6x18
5	4 x		Square Neck Bolt M10x30
5	4 x		Nut Nyloc M10
5	4 x		Washer M10x40
5	4 x		Washer 30x30 rectangular

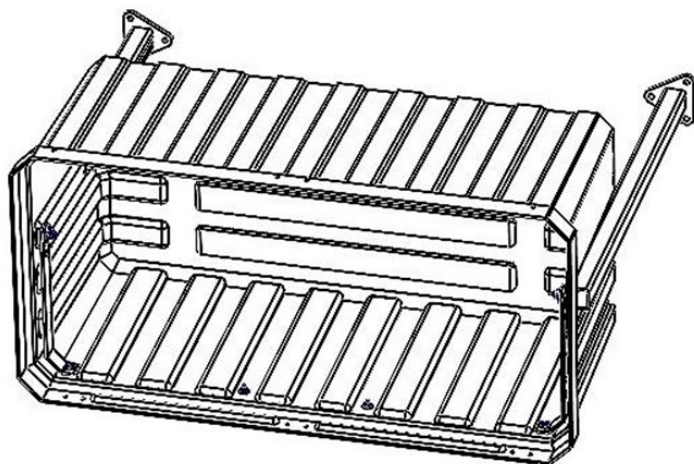


# INSTALLATION INSTRUCTIONS

**102809 Installation kit SL2 (horizontal) for**  
**100450 Toolbox 1000x500x460**  
**100458 Toolbox 1000 D**



Pos.	Qty	Part	
1	1 x	U-profile 915mm	
2	2 x	L-bracket 275mm	
3	2 x	Stay C-profile 700mm Zn	
4	4 x		Square Neck Bolt M6x20
4	4 x		Nut Nyloc M6
4	4 x		Washer M6x18
5	4 x		Square Neck Bolt M10x30
5	4 x		Nut Nyloc M10
5	4 x		Washer M10x40
5	4 x		Washer 30x30 rectangular



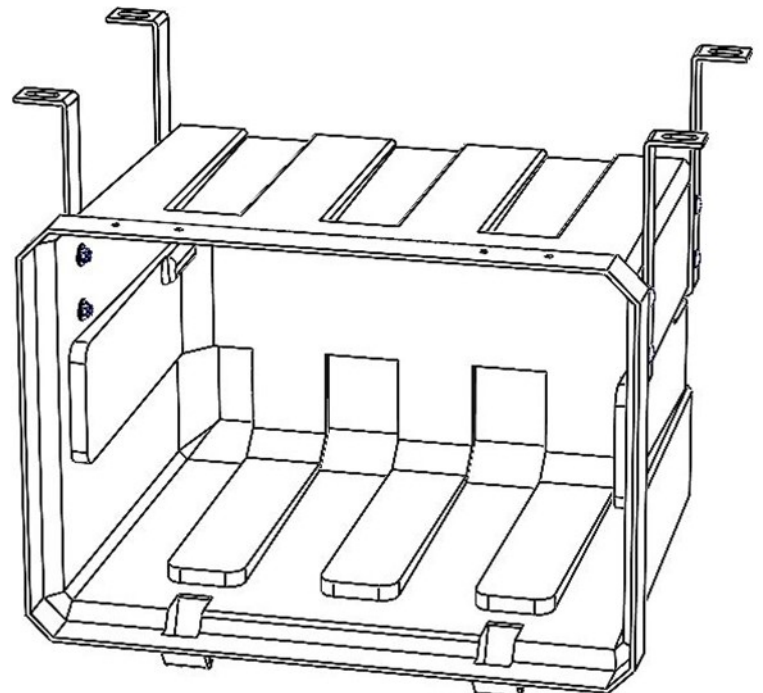
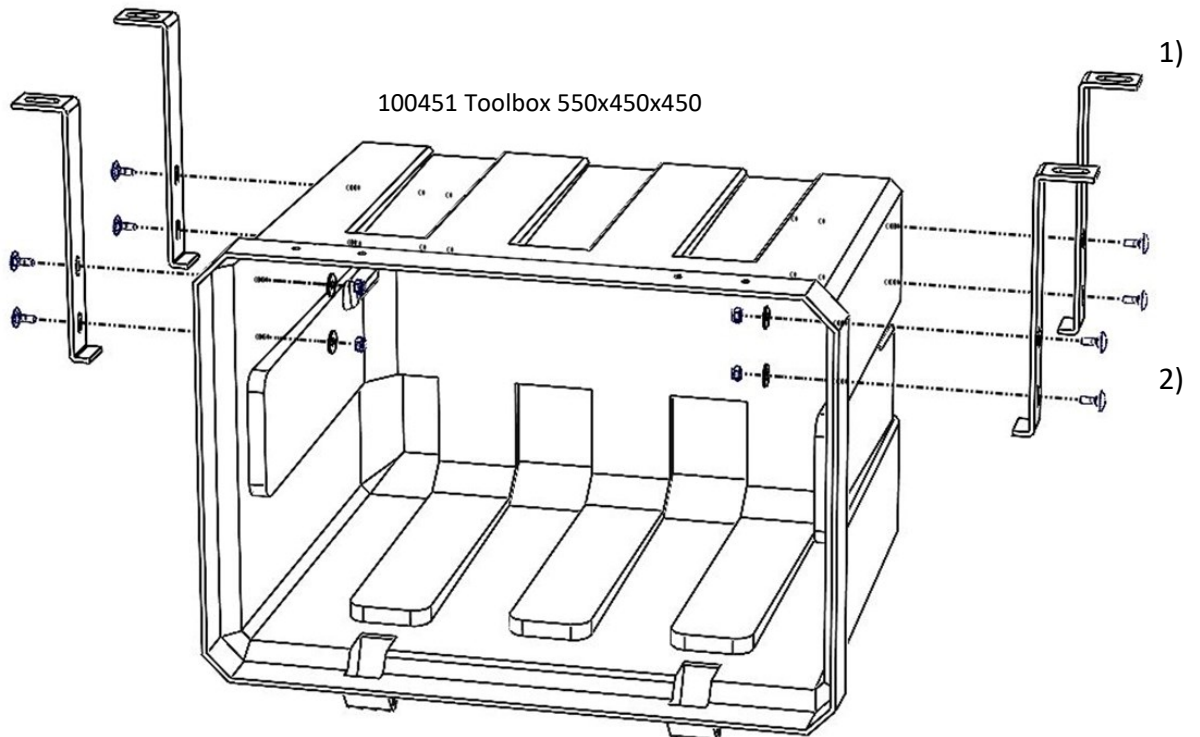





# INSTALLATION INSTRUCTIONS

102827 Installation kit SL4 (vertical) for

100451 Toolbox 550x450x450

100453 Toolbox 700x300x300 L



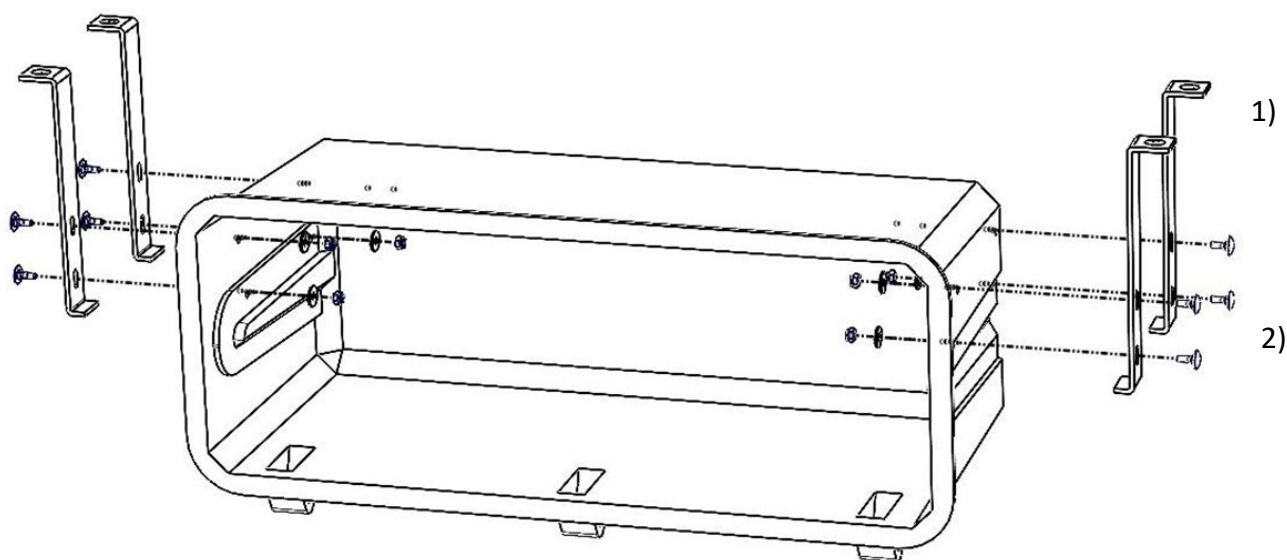
Pos	Qty	Part	
1	4 x	Z-bracket 218mm	
2	8 x		Square Neck Bolt M6x16
2	8 x		Nut Nyloc M6
2	8 x		Washer M6x18

## INSTALLATION INSTRUCTIONS

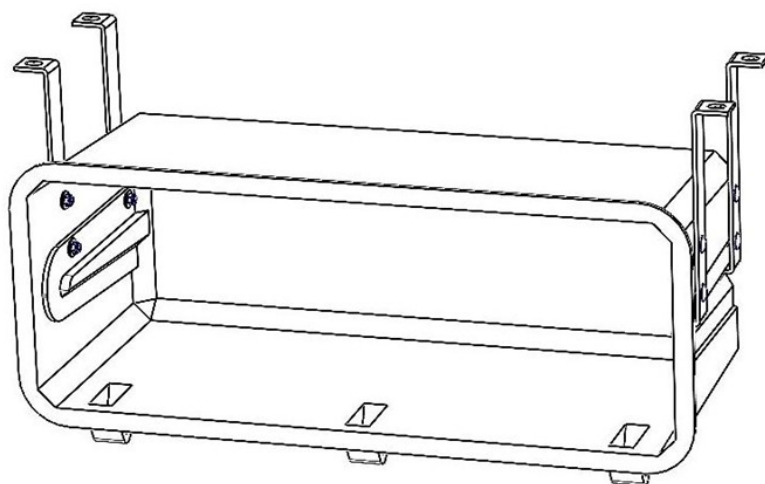
102827 Installation kit SL4 (vertical) for

100451 Toolbox 550x450x450

100453 Toolbox 700x300x300 L



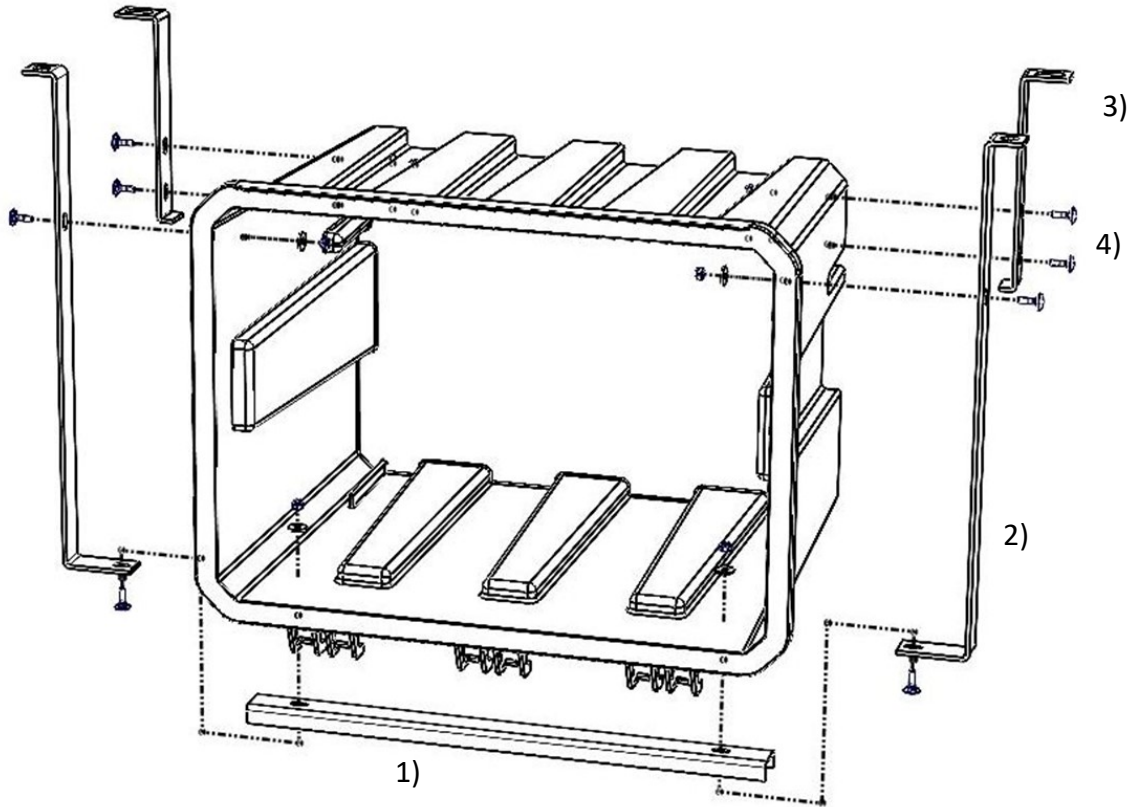
Pos	Qty	Part	
1	4 x	Z-bracket 218mm	
2	8 x		Square Neck Bolt M6x16
2	8 x		Nut Nyloc M6
2	8 x		Washer M6x18





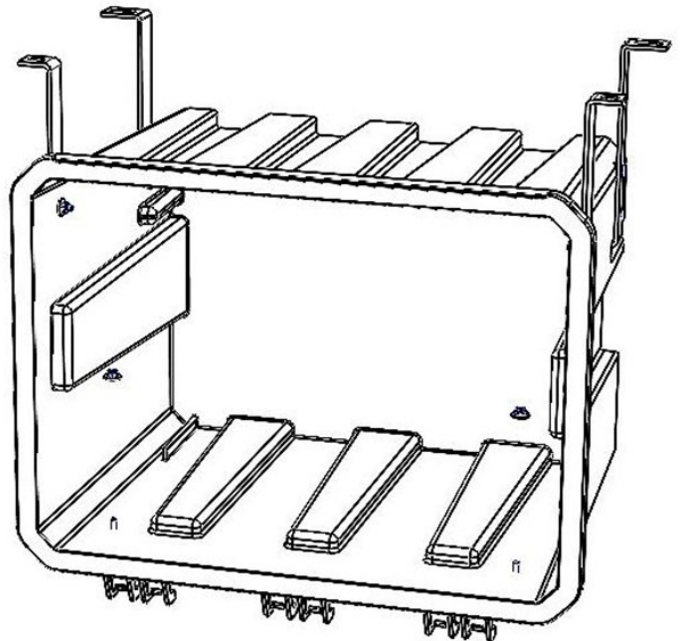
# INSTALLATION INSTRUCTIONS

102902 Installation kit SL4 (vertical) for  
100452 Toolbox 600x450x450



Pos.	Qty	Part
1	1 x	U-profile 530mm
2	2 x	Z-bracket 508mm
3	2 x	Z-bracket 218mm

4	9 x	 Square Neck Bolt M6x20
4	9 x	 Nut Nyloc M6
4	9 x	 Washer M6x18

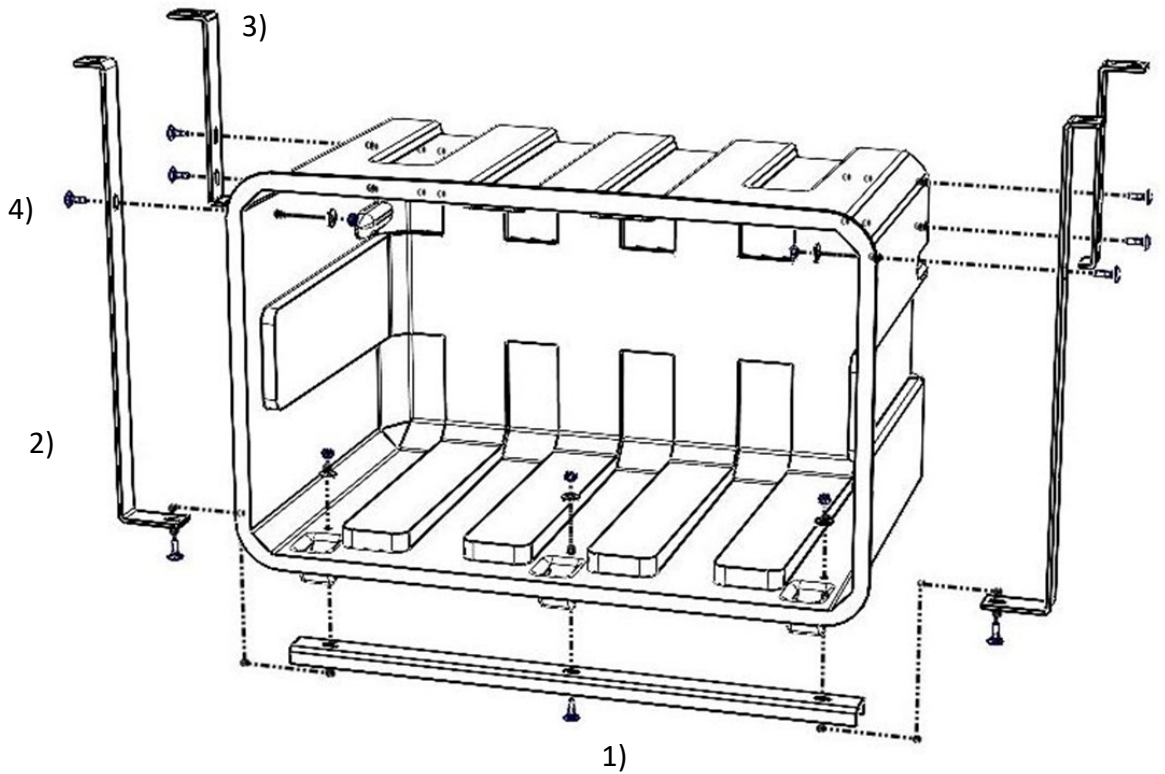


# INSTALLATION INSTRUCTIONS

102863 Installation kit SL4 (vertical) for

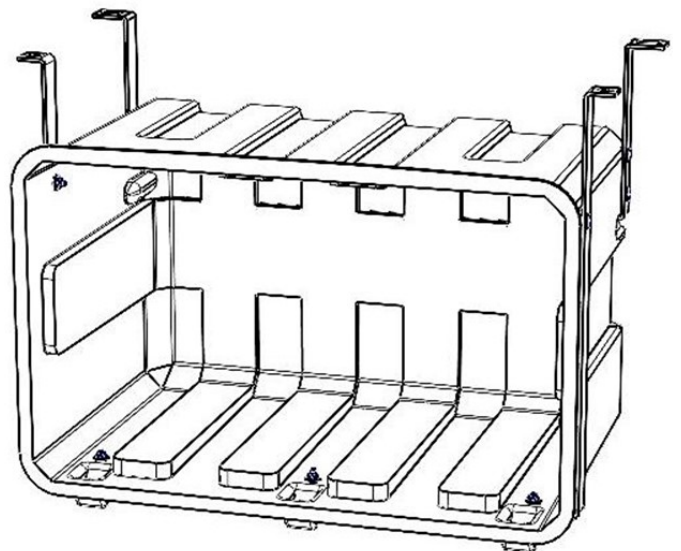
100454 Toolbox 700x450x450

100449 Load restraint box 700x500x450



Pos.	Qty	Part
1	1 x	U-profile 625mm
2	2 x	Z-bracket 508mm
3	2 x	Z-bracket 218mm

4	9 x	 Square Neck Bolt M6x20
4	9 x	 Nut Nyloc M6
4	9 x	 Washer M6x18

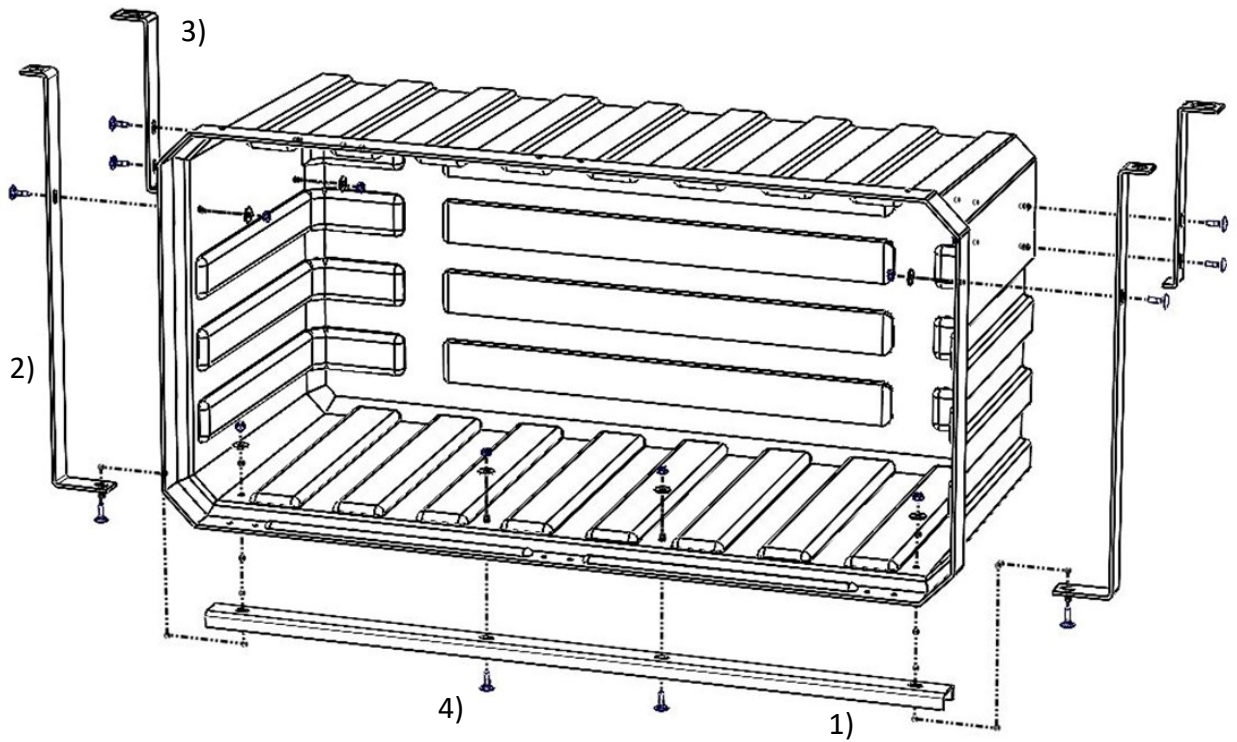


# INSTALLATION INSTRUCTIONS

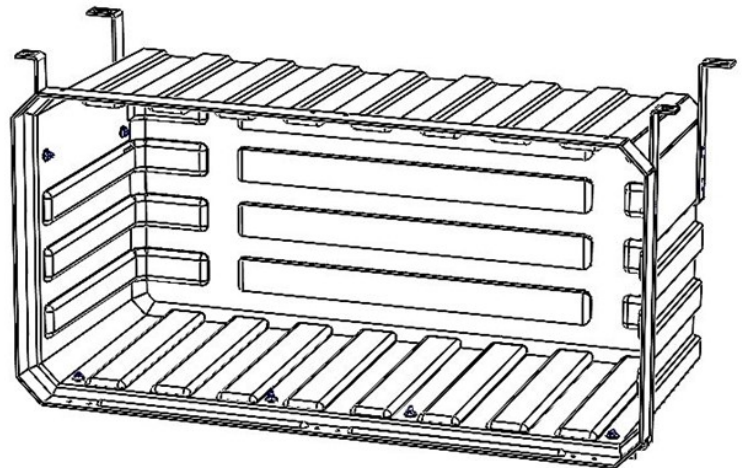
102866 Installation kit SL4 (vertical) for

100455 Toolbox 840x480x485

100456 Toolbox 840x480x550 T



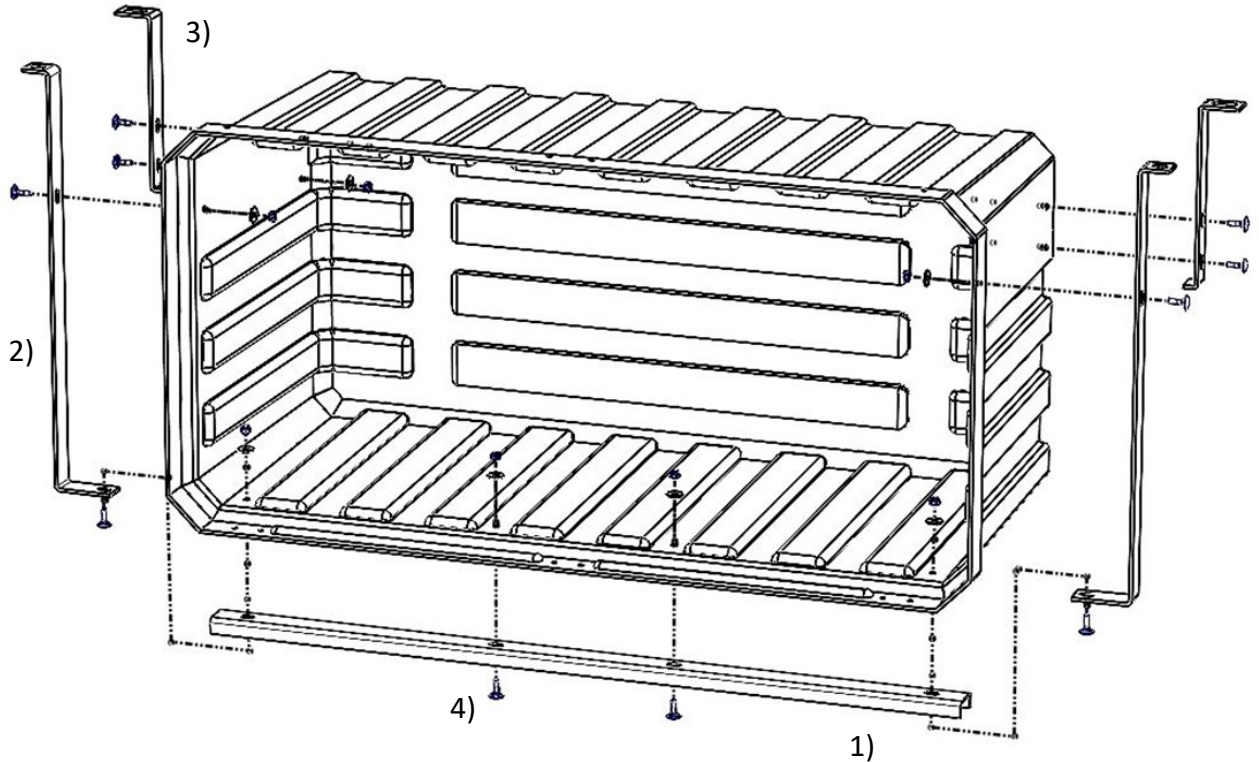
Pos.	Qty	Part	
1	1 x	U-profile 759mm	
2	2 x	Z-bracket 508mm	
3	2 x	Z-bracket 218mm	
4	10 x		Square Neck Bolt M6x20
4	10 x		Nut Nyloc M6
4	10 x		Washer M6x18





# INSTALLATION INSTRUCTIONS

102808 Installation kit SL4 (vertical) for  
 100450 Toolbox 1000x500x460  
 100458 Toolbox 1000 D



Pos.	Qty	Part	
1	1 x	U-profile 915mm	
2	2 x	Z-bracket 508mm	
3	2 x	Z-bracket 218mm	
4	10 x		Square Neck Bolt M6x20
4	10 x		Nut Nyloc M6
4	10 x		Washer M6x18

